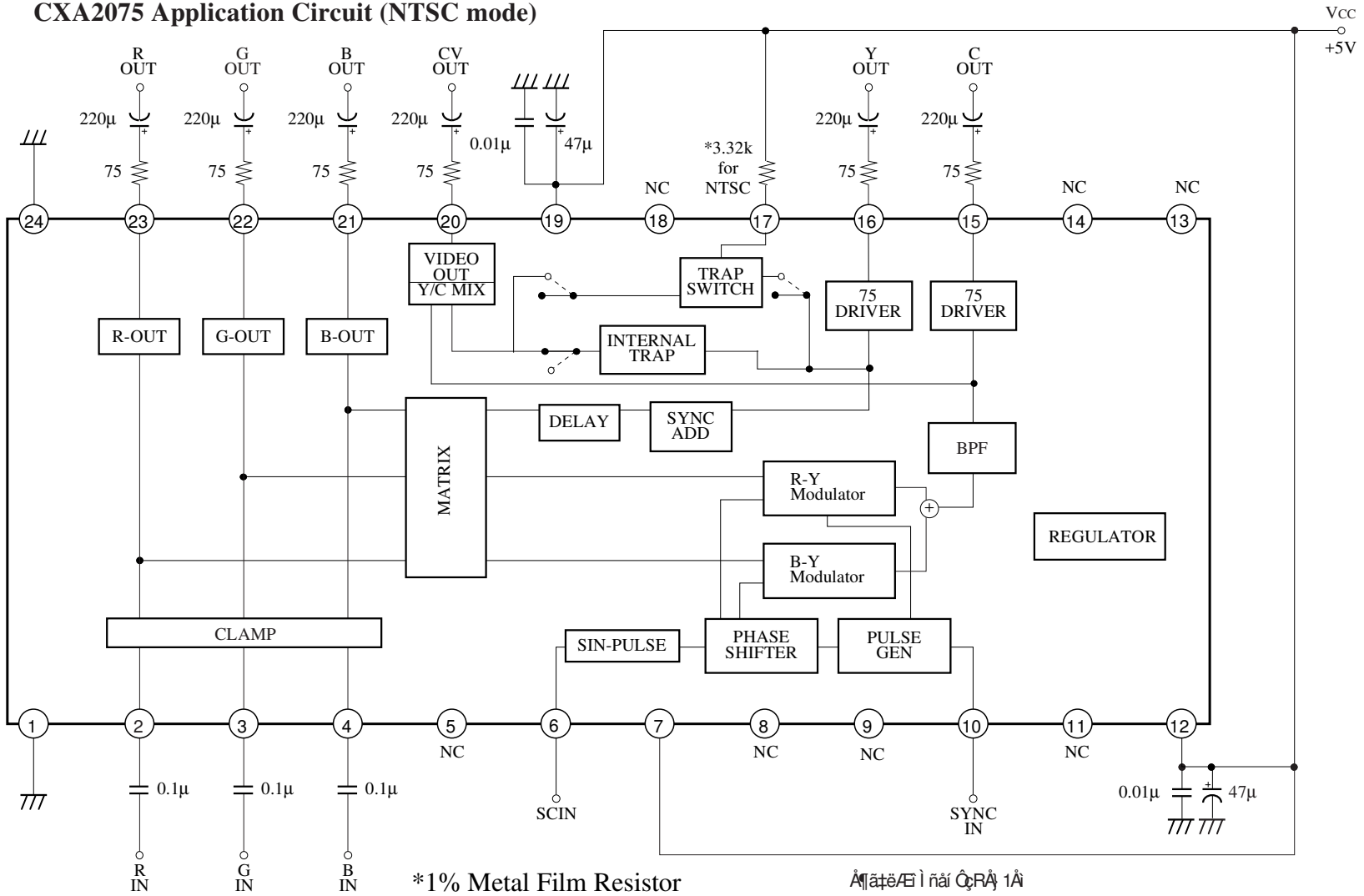


CXA2075 Application Circuit (NTSC mode)



***1% Metal Film Resistor**

(If an external trap is desired, the appropriate RC or LRC filter may be connected instead between pin 17 and GND and the internal trap will be disabled)

ΑΠΛΗ ΕΙΣΑΓΩΓΗ